

# smart COMBO Chair + Stand Units

unique solution to the space vs functionality challenge, all at an affordable price. A small 44.8" (113.7cm) footprint provides total functionality in instrument delivery and patient comfort by combining features of the S4OPTIK's Examination Chairs and the spectacular engineering of S4OPTIK's instrument arms.



# CHAIR + INSTRUMENT STAND UNITS

Select the Examination Chair that fits your needs and combine it with a Console or Non-Console Stand to complete the Combo.

## EXAMINATION CHAIR OPTIONS

### combo 1600-CH

#### PIVOT TILT

The S4OPTIK 1600-CH Examination Chair's pneumatically assisted pivot tilting mechanism with one-handed release/control mechanism allows simple patient positioning up to a 40 degree recline. In addition to featuring this Pivot Tilt System with convenient Tilt Release Controls, the 1600 features a strong, yet silent Power Lift System, intelligent Rotation Lock, robust Foot Rest, functional Armrests, sensible Height Control locations, and improved Headrest design.



### combo 2000-CH

#### CRADLE TILT

The S4OPTIK 2000-CH Examination Chair is the perfect choice for today's modern practice. It features a precision engineered Cradle Track System, convenient Tilt Release Controls, strong, yet silent Power Lift System, intelligent Rotation Lock, robust Foot Rest, functional Armrests, sensible Height Control locations, and improved Headrest design.



### combo 2500-CH

#### MOTORISED AUTO RECLINE

The S4OPTIK 2500 Fully Automatic Examination Chair is the perfect choice for today's modern practice. Featuring a precision engineered motorized recline system extends from a seated to a supine position or any position in between. The 2500 Examination Chair also includes such features as convenient membrane buttons, a strong, yet silent Power Lift and Recline System, intelligent Rotation Lock, robust Foot Rest, functional Armrests, sensible Height Control locations, and an improved articulating Headrest design.



## OPHTHALMIC STAND FEATURES

### intelligent SLIT LAMP ARM

An engineering achievement, this fully counterbalanced arm, incorporates the full function and range, with the lock/release mechanism conveniently located at your fingertips. A 13" (33cm) range of travel and counter balance up to 60lbs (27.2kg), this arm easily accommodates all, including wheelchair patients. A chair up/down switch is located on the front of the arm and is reversible for left handed set up.

### elegant HALOGEN OVERHEAD LIGHT

The overhead light completes the modern appearance of the combo, yet offers a long-lasting halogen lamp, providing bright, direct light for general lighting or minor procedures. Metal lamp arm construction allows stable, one handed movements with superior durability. The overhead lamp is low voltage (12V) for safety.

### ergonomic UPPER (REFRACTOR) ARM

Engineered with natural, and comfortable hand movements in mind, the lock/release lever engages a single lock mechanism in all three dimensions (forward/backward/vertical). A 12.5" (31.75cm) vertical range, and counter balance up to 20lbs (9.1kg) ensures precise and effortless positioning.



Console



Non-Console

### CONSOLE OPTIONS

Adding the console options features;

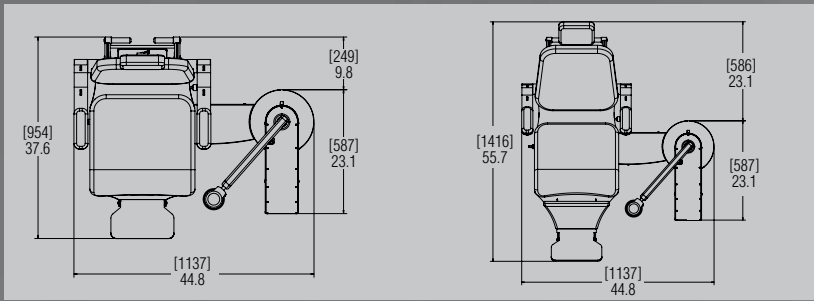
- three rechargeable wells for hand instruments
- up/down and auto return for chair
- BIO power source with rheostat
- overhead light control with rheostat
- main power on/off switching

# STAND UNIT SCHEMATICS

## MODEL 1600 COMBO ASSEMBLY

CHAIR UPRIGHT

CHAIR RECLINED



## sensible OPTIONAL ADDITIONS

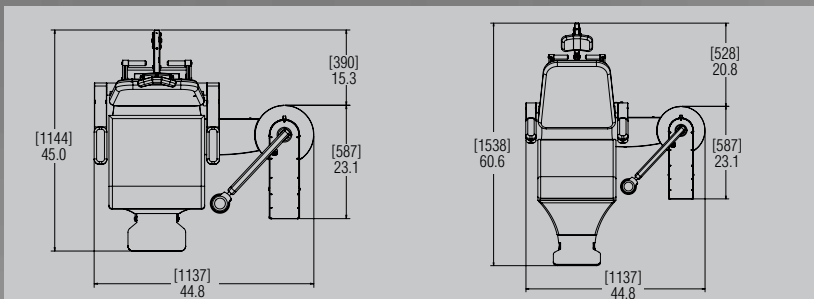


Storage Tray

## MODEL 2000 COMBO ASSEMBLY

CHAIR UPRIGHT

CHAIR RECLINED

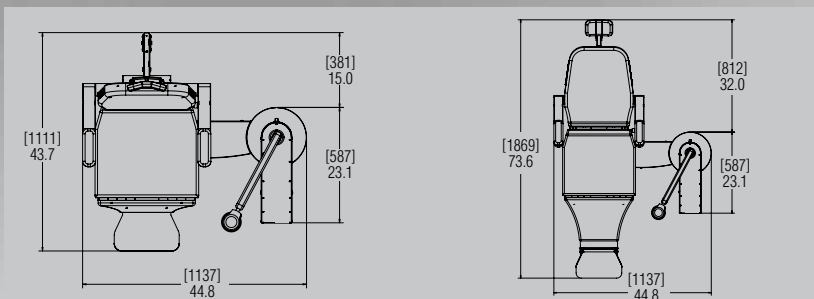


Optional 3rd arm

## MODEL 2500 COMBO ASSEMBLY

CHAIR UPRIGHT

CHAIR RECLINED



BIO Hanger

## SPECIFICATIONS

### Measurements

Base	44.8" (113.7 cm) width
Height	68" (172.7 cm) to top of pole
Shipping Weight	1600 Combo: 450lbs net, 390lbs gross 2000 Combo: 460lbs net, 400lbs gross 2500 Combo: 470lbs net, 410lbs gross

**TECHNOLOGY**  
**VALUE**  
**RELIABILITY**

Distributed by:

with a policy of continuous improvement, we reserve the right to make changes to specifications without advance notice.

**RIGHTmed**  
**S4 OPTIK**

5325 Cleveland Street, Suite 303 Virginia Beach, VA 23462  
1.888.224.6012 | www.s4optik.com